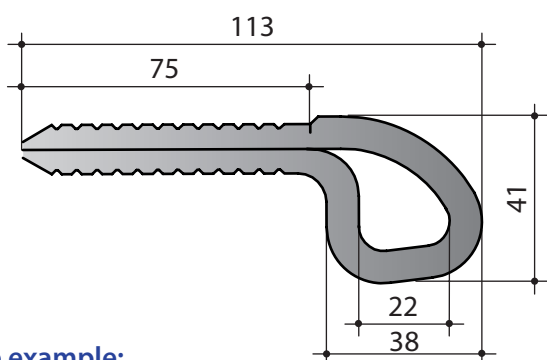


## VECTASAFE® GLUE-IN ANCHOR POINT

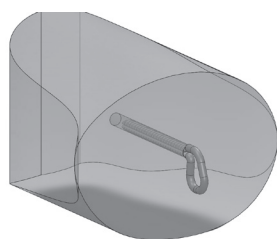


Ref.: VA06 (ø 14) – VA07 (ø16)

### Product dimensions:



### Set-up example:



### Associated product:

- Chemical glue FISCHER FIS VS 150 C, Ref.: VF06.

### Advantages:

- Economical.
- Small footprint.
- Light.
- If available in stock, quick delivery.
- Easy and quick to install.
- Resists to corrosion.

### Use:

VECTASAFE® glue-in anchor point is an anchorage system which provides an individual protection against falls from height. It is used to protect the user during maintenance and cleaning. It can only be installed on concrete support by chemical glue.

### Technical features:

Reference	VA06 (ø 14)	VA07 (ø16)
Weight (grams)	65	100
Material	Stainless steel	Stainless steel
Drilling ø	14 mm	16 mm
Drilling depth	72 mm	95 mm
Place of use	Inside / outside	Inside / outside
<math>\langle daN \rangle / daN</math>	3000/ 2000	5000 / 5000
Standards	EN 795: 1996 - A1 EN 959: 2007	EN 795: 1996 - A1 EN 959: 2007
CE	CE 0333	CE 0333

### Assembly instructions:

- VECTASAFE® glue-in anchor point can only be used by one person and installed according to the following diagrams:
- Fastening recommended: chemical glue FISCHER FIS VS 150 C.

